

产品规格书 Product Datasheet

型号 Model :Rb-LK-5M123.6Y01

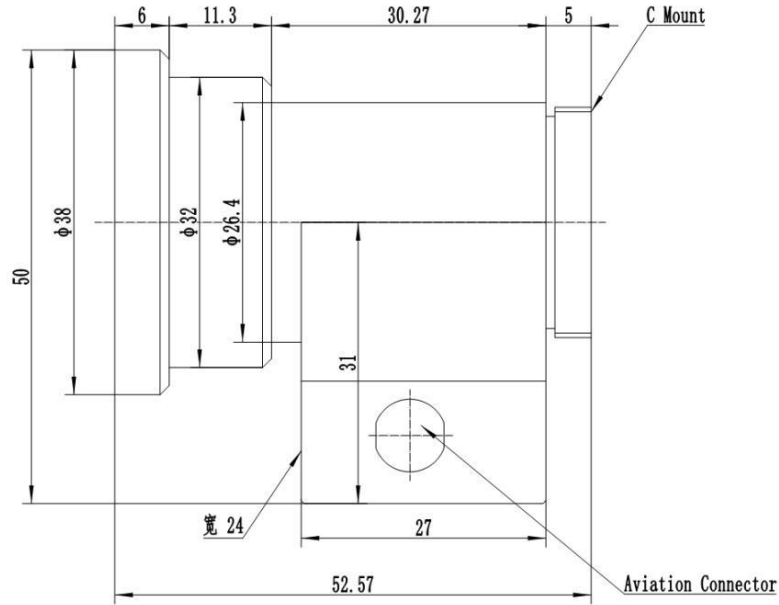
产品类型 Lens Type: 液态定焦镜头 / Liquid FA Lens

性能参数 Spec Parameters:

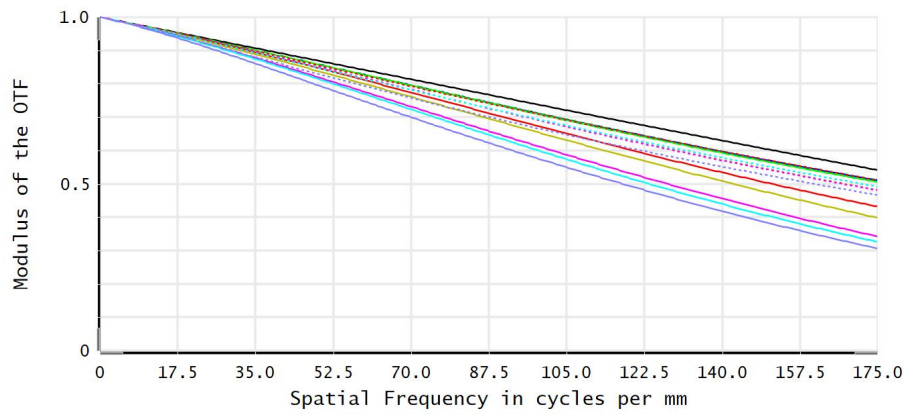
焦距 Focal Length (f) /mm	12
最大像圆 Max. Image Circle /mm	Ø11
兼容靶面 Compatible Sensor Size	2/3"
光圈 Aperture F#	3.6
工作距离 Working Distance/mm	> 200mm
畸变 Distortion /%	0.44
接口 Mount	C
法兰距 Flange Back Length	17.526
净重 Net Weight/g	95.7
连接头 Connector	Aviation Connector P7
液体镜片型号 (Liquid Lens Type)	Corning-A39H
对角线视角 (Diagonal Angle of View) /°	50.2
工作温度 Operating Temperature	-10°C~+50°C
存储温度 Storage Temperature	-20°C~+60°C

外形尺寸 Mechanical Size

Unit: mm



FFT MTF



<input checked="" type="checkbox"/> Diff. Limit-Tangential	<input checked="" type="checkbox"/> Diff. Limit-Sagittal	<input checked="" type="checkbox"/> 0.00 (deg)-Tangential	<input checked="" type="checkbox"/> 0.00 (deg)-Sagittal	<input checked="" type="checkbox"/> 2.51 (deg)-Tangential
<input checked="" type="checkbox"/> 2.51 (deg)-Sagittal	<input checked="" type="checkbox"/> 12.55 (deg)-Tangential	<input checked="" type="checkbox"/> 12.55 (deg)-Sagittal	<input checked="" type="checkbox"/> 17.75 (deg)-Tangential	<input checked="" type="checkbox"/> 17.75 (deg)-Sagittal
<input checked="" type="checkbox"/> 21.25 (deg)-Tangential	<input checked="" type="checkbox"/> 21.25 (deg)-Sagittal	<input checked="" type="checkbox"/> 23.75 (deg)-Tangential	<input checked="" type="checkbox"/> 23.75 (deg)-Sagittal	<input checked="" type="checkbox"/> 25.10 (deg)-Tangential
<input checked="" type="checkbox"/> 25.10 (deg)-Sagittal				

Polychromatic Diffraction MTF	
2023-9-20 Data for 0.4860 to 0.6560 μm . Surface: Image	Zemax Zemax OpticStudio 17.5
Legend items refer to Field positions	LK-5M123.6Y01.ZMX Configuration 1 of 1