

产品规格书 Product Datasheet

型号 Model: Rb-LK-5M259Y01

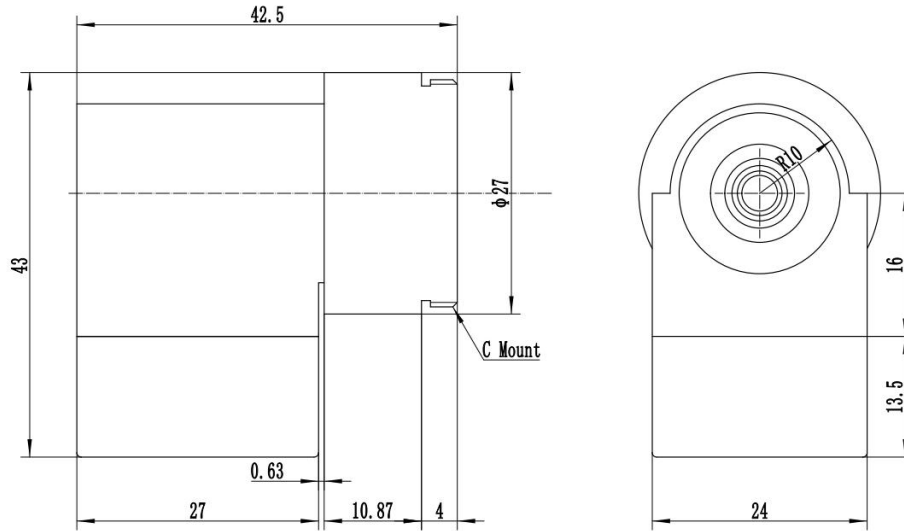
产品类型 Lens Type: 液态定焦镜头 / Liquid FA Lens

性能参数 Spec Parameters:

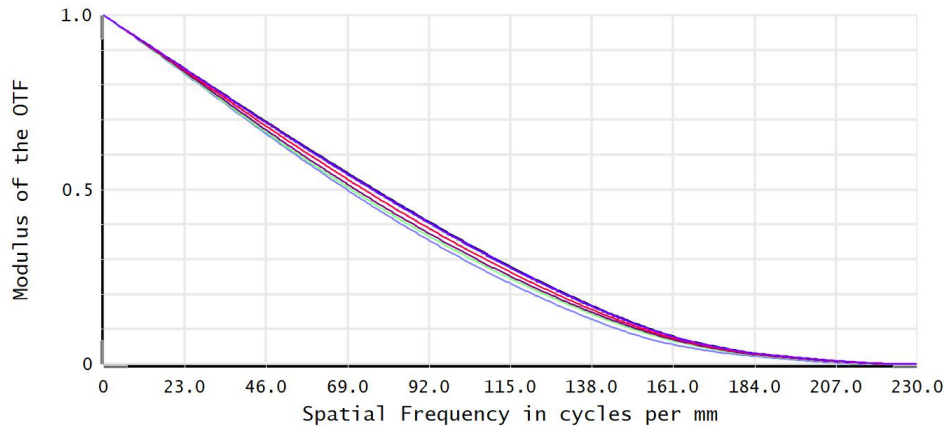
焦距 Focal Length (f) /mm						25
最大像圆 Max. Image Circle /mm						Ø11
兼容靶面 Compatible Sensor Size						2/3 "
光圈 Aperture F#						9
工作距离 Working Distance/mm						200~∞
畸变 Distortion /%						≤0.14
接口 Mount						C
法兰距 Flange Back Length						17.52
净重 Net Weight/g						60
连接头 Connector						Micro USB
视野 FOV	D	1/2.5"	16.26°	2/3"	25.4°	
	H		13°		19.96°	
	V		9.84°		15.04°	
工作温度 Operating Temperature						-10°C~+50°C
存储温度 Storage Temperature						-20°C~+60°C

外形尺寸 Mechanical Size

Unit: mm



MTF Diagram



<input checked="" type="checkbox"/> Diff. Liest-Tangential	<input checked="" type="checkbox"/> Diff. Liest-Sagittal	<input checked="" type="checkbox"/> 0.00 (deg)-Tangential	<input checked="" type="checkbox"/> 0.00 (deg)-Sagittal	<input checked="" type="checkbox"/> 2.00 (deg)-Tangential	<input checked="" type="checkbox"/> 2.00 (deg)-Sagittal
<input checked="" type="checkbox"/> 5.00 (deg)-Tangential	<input checked="" type="checkbox"/> 5.00 (deg)-Sagittal	<input checked="" type="checkbox"/> 7.00 (deg)-Tangential	<input checked="" type="checkbox"/> 7.00 (deg)-Sagittal	<input checked="" type="checkbox"/> 8.98 (deg)-Tangential	<input checked="" type="checkbox"/> 8.98 (deg)-Sagittal
<input checked="" type="checkbox"/> 12.70 (deg)-Tangential	<input checked="" type="checkbox"/> 12.70 (deg)-Sagittal	<input checked="" type="checkbox"/> -12.70 (deg)-Tangential	<input checked="" type="checkbox"/> -12.70 (deg)-Sagittal	<input checked="" type="checkbox"/> -8.98 (deg)-Tangential	<input checked="" type="checkbox"/> -8.98 (deg)-Sagittal
<input checked="" type="checkbox"/> -7.00 (deg)-Tangential	<input checked="" type="checkbox"/> -7.00 (deg)-Sagittal	<input checked="" type="checkbox"/> -5.00 (deg)-Tangential	<input checked="" type="checkbox"/> -5.00 (deg)-Sagittal	<input checked="" type="checkbox"/> -2.00 (deg)-Tangential	<input checked="" type="checkbox"/> -2.00 (deg)-Sagittal

Polychromatic Diffraction MTF	
2022-2-18 Data for 0.4860 to 0.6560 μm . Surface: Image Legend items refer to Field positions	Zemax Zemax OpticStudio 17.5 LK-5M25Y01.ZMX Configuration 1 of 1