

## 产品规格书 Product Datasheet

型号 Model : Rb-LK-5M506Y01

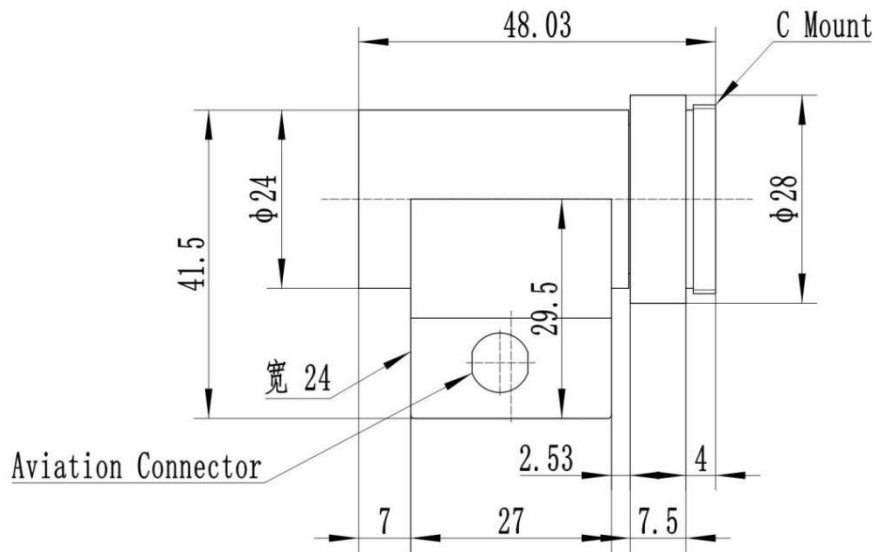
产品类型 Lens Type: 液态定焦镜头 / Liquid FA Lens

性能参数 Spec Parameters:

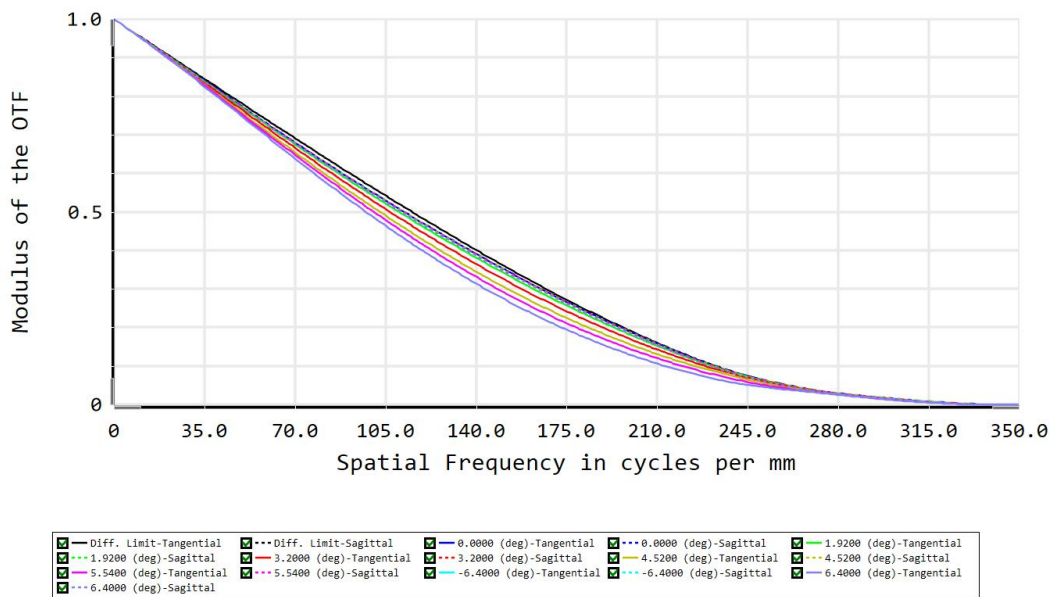
焦距 Focal Length (f) /mm	50
最大像圆 Max. Image Circle /mm	Ø11
兼容靶面 Compatible Sensor Size	2/3"
光圈 Aperture F#	6
工作距离 Working Distance/mm	> 300mm
畸变 Distortion /%	0.1
接口 Mount	C
法兰距 Flange Back Length	17.526
净重 Net Weight/g	86.8
连接头 Connector	Aviation Connector P7
液体镜片型号 (Liquid Lens Type)	Corning-A39H
对角线视角 (Diagonal Angle of View) /°	12.8°
工作温度 Operating Temperature	-10°C~+50°C
存储温度 Storage Temperature	-20°C~+60°C

# 外形尺寸 Mechanical Size

Unit: mm



# MTF Diagram



Polychromatic Diffraction MTF	
2024/1/5 Data for 0.4860 to 0.6560 $\mu\text{m}$ . Surface: Image	Zemax Zemax OpticStudio 17
Legend items refer to Field positions	LK-5M506Y01.zmx Configuration 1 of 1