

## 产品规格书 Product Datasheet

型号 Model : Rb-LK-10M164.8Y01

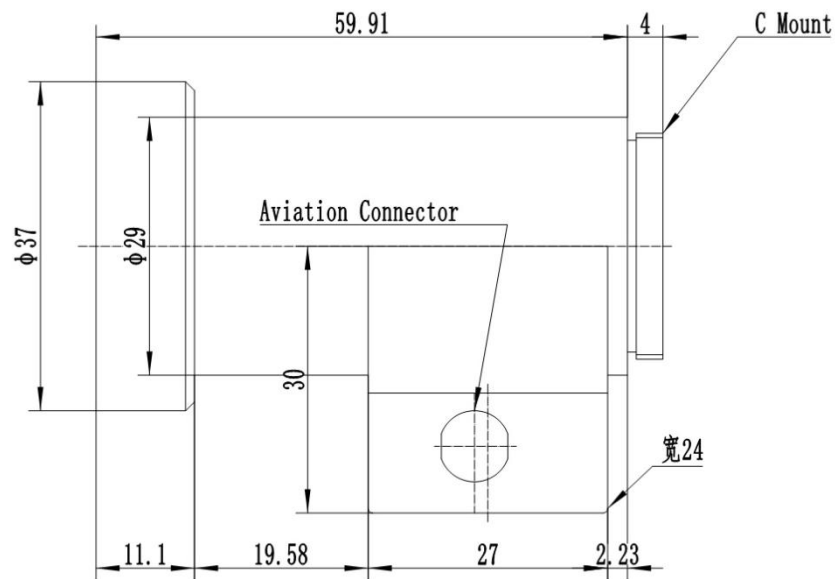
产品类型 Lens Type: 液态定焦镜头 / Liquid FA Lens

性能参数 Spec Parameters:

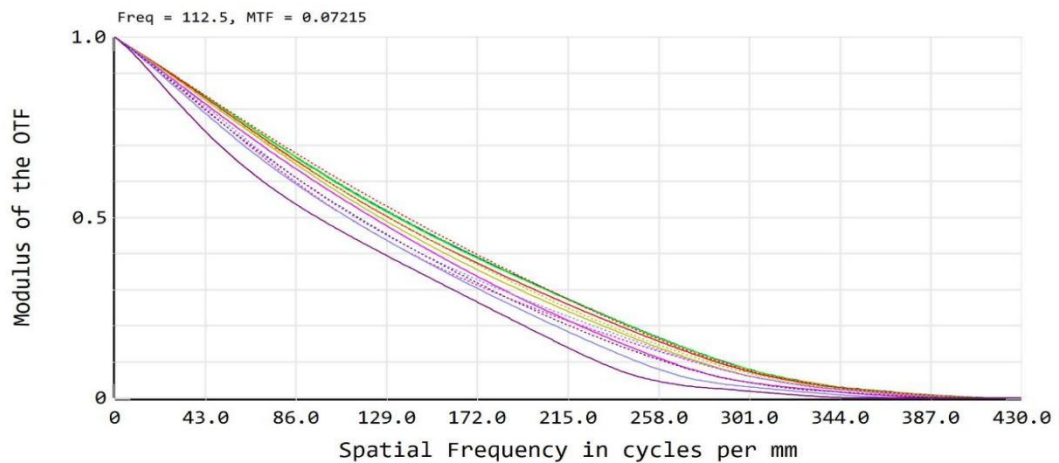
焦距 Focal Length (f) /mm	16
最大像圆 Max. Image Circle /mm	Ø18.5
兼容靶面 Compatible Sensor Size	1.1"
光圈 Aperture F#	4.8
工作距离 Working Distance/mm	> 300mm
畸变 Distortion /%	0.5
接口 Mount	C
法兰距 Flange Back Length	17.526
净重 Net Weight/g	125.1
连接头 Connector	Aviation Connector P7
液体镜片型号 (Liquid Lens Type)	Corning-A39H
对角线视角 (Diagonal Angle of View) /°	38.8°
工作温度 Operating Temperature	-10°C~+50°C
存储温度 Storage Temperature	-20°C~+60°C

# 外形尺寸 Mechanical Size

Unit: mm



# MTF Diagram



<input checked="" type="checkbox"/> 0.00 (deg)-Tangential	<input checked="" type="checkbox"/> 0.00 (deg)-Sagittal	<input checked="" type="checkbox"/> 3.05 (deg)-Tangential	<input checked="" type="checkbox"/> 3.05 (deg)-Sagittal	<input checked="" type="checkbox"/> 9.15 (deg)-Tangential	<input checked="" type="checkbox"/> 9.15 (deg)-Sagittal
<input checked="" type="checkbox"/> 15.25 (deg)-Tangential	<input checked="" type="checkbox"/> 15.25 (deg)-Sagittal	<input checked="" type="checkbox"/> 21.56 (deg)-Tangential	<input checked="" type="checkbox"/> 21.56 (deg)-Sagittal	<input checked="" type="checkbox"/> 26.41 (deg)-Tangential	<input checked="" type="checkbox"/> 26.41 (deg)-Sagittal
<input checked="" type="checkbox"/> 26.41 (deg)-Tangential	<input checked="" type="checkbox"/> 26.41 (deg)-Sagittal	<input checked="" type="checkbox"/> 30.50 (deg)-Tangential	<input checked="" type="checkbox"/> 30.50 (deg)-Sagittal		

Polychromatic Diffraction MTF	
2024/7/2 Data for 0.4860 to 0.6560 $\mu\text{m}$ . Surface: Image  Legend items refer to Field positions	Zemax Zemax OpticStudio 19.4  LK-10M164.8Y01.ZMX Configuration 1 of 1