

产品规格书 Product Datasheet

型号 Model: Rb-LK-10M357.1Y01

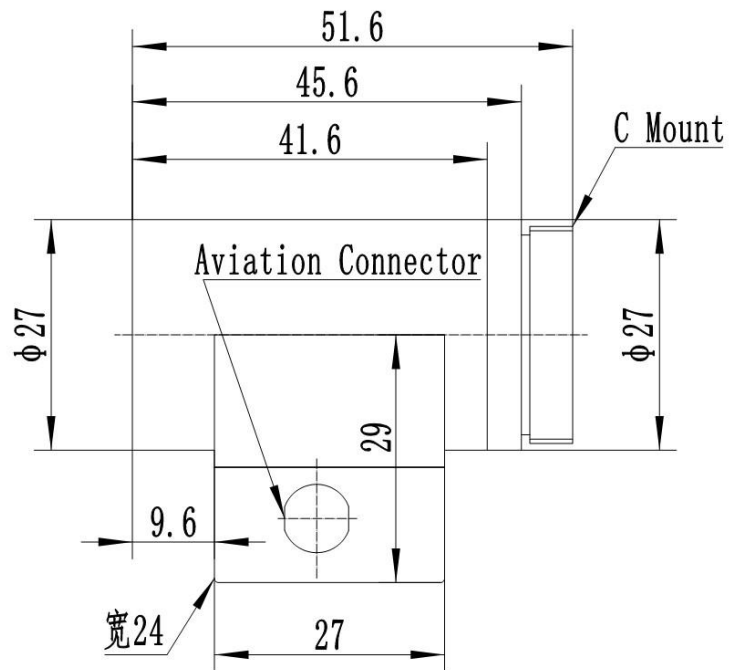
产品类型 Lens Type: 液态定焦镜头 / Liquid FA Lens

性能参数 Spec Parameters:

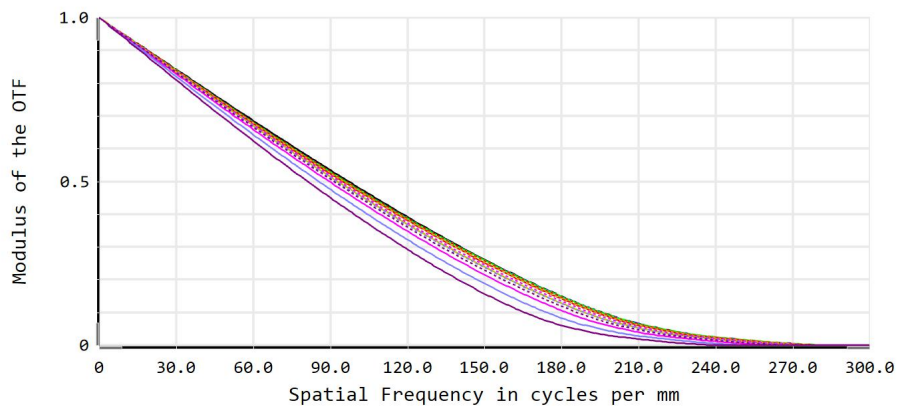
焦距 Focal Length (f) /mm	35
最大像圆 Max. Image Circle /mm	Ø18.5
兼容靶面 Compatible Sensor Size	1.1"
光圈 Aperture F#	7.1
工作距离 Working Distance/mm	200~∞
畸变 Distortion /%	≤0.6
接口 Mount	C
法兰距 Flange Back Length	17.52
净重 Net Weight/g	TBD
连接头 Connector	Aviation Connector P4
对角线视角 (Diagonal Angle of View) /°	29.8°
工作温度 Operating Temperature	-10°C~+50°C
存储温度 Storage Temperature	-20°C~+60°C

外形尺寸 Mechanical Size

Unit: mm



MTF Diagram



<input checked="" type="checkbox"/> --- Diff. Limit-Tangential	<input checked="" type="checkbox"/> --- Diff. Limit-Sagittal	<input checked="" type="checkbox"/> --- 0.00 (deg)-Tangential	<input checked="" type="checkbox"/> --- 0.00 (deg)-Sagittal	<input checked="" type="checkbox"/> --- 1.49 (deg)-Tangential
<input checked="" type="checkbox"/> --- 1.49 (deg)-Sagittal	<input checked="" type="checkbox"/> --- 4.47 (deg)-Tangential	<input checked="" type="checkbox"/> --- 4.47 (deg)-Sagittal	<input checked="" type="checkbox"/> --- 7.45 (deg)-Tangential	<input checked="" type="checkbox"/> --- 7.45 (deg)-Sagittal
<input checked="" type="checkbox"/> --- 10.53 (deg)-Tangential	<input checked="" type="checkbox"/> --- 10.53 (deg)-Sagittal	<input checked="" type="checkbox"/> --- 12.90 (deg)-Tangential	<input checked="" type="checkbox"/> --- 12.90 (deg)-Sagittal	<input checked="" type="checkbox"/> --- 14.90 (deg)-Tangential
<input checked="" type="checkbox"/> --- 12.90 (deg)-Sagittal	<input checked="" type="checkbox"/> --- 14.90 (deg)-Tangential	<input checked="" type="checkbox"/> --- 14.90 (deg)-Sagittal	<input checked="" type="checkbox"/> --- 14.90 (deg)-Tangential	<input checked="" type="checkbox"/> --- 14.90 (deg)-Sagittal

Polychromatic Diffraction MTF	
2022/9/22 Data for 0.4860 to 0.6560 μm . Surface: Image	Zemax Zemax OpticStudio 17
Legend items refer to Field positions	LK-10M357.1Y01.zmx Configuration 1 of 1