

产品规格书 Product Datasheet

型号 Model : Rb-LK-10M255Y01

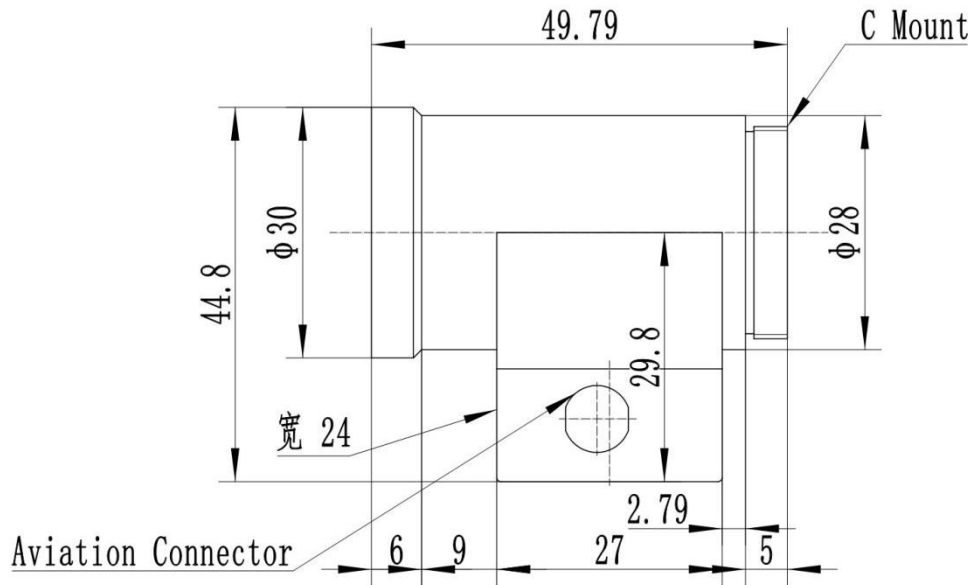
产品类型 Lens Type: 液态定焦镜头 / Liquid FA Lens

性能参数 Spec Parameters:

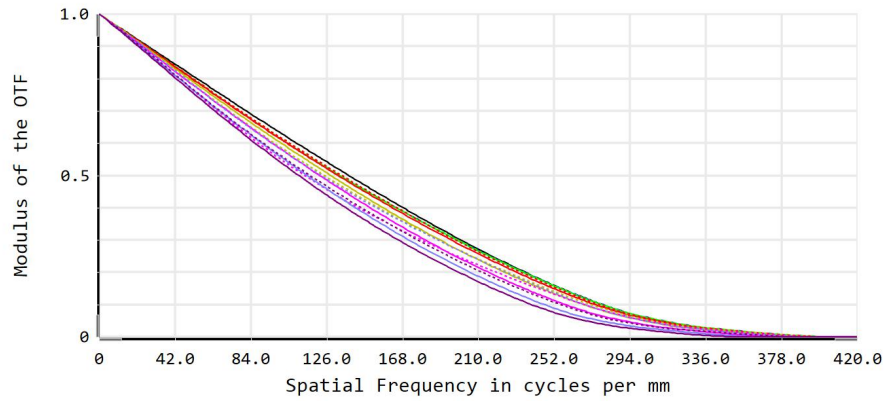
焦距 Focal Length (f) /mm	25
最大像圆 Max. Image Circle /mm	Ø18.5
兼容靶面 Compatible Sensor Size	1.1"
光圈 Aperture F#	5
工作距离 Working Distance/mm	500~∞
畸变 Distortion /%	0.5
接口 Mount	C
法兰距 Flange Back Length	17.526
净重 Net Weight/g	89.1
连接头 Connector	Aviation Connector P7
液体镜片型号 (Liquid Lens Type)	Corning-A39H
对角线视角 (Diagonal Angle of View) /°	41°
工作温度 Operating Temperature	-10°C~+50°C
存储温度 Storage Temperature	-20°C~+60°C

外形尺寸 Mechanical Size

Unit: mm



MTF Diagram



— Diff. Limit-Tangential	--- Diff. Limit-Sagittal	— 0.00 (deg)-Tangential	--- 0.00 (deg)-Sagittal	— 2.05 (deg)-Tangential
--- 2.05 (deg)-Sagittal	— 6.15 (deg)-Tangential	--- 6.15 (deg)-Sagittal	— 10.25 (deg)-Tangential	--- 10.25 (deg)-Sagittal
— 14.50 (deg)-Tangential	--- 14.50 (deg)-Sagittal	— 17.75 (deg)-Tangential	--- 17.75 (deg)-Sagittal	— 17.75 (deg)-Tangential
--- 17.75 (deg)-Sagittal	— 20.50 (deg)-Tangential	--- 20.50 (deg)-Sagittal	— 20.50 (deg)-Tangential	--- 20.50 (deg)-Sagittal

Polychromatic Diffraction MTF	
2024/1/5 Data for 0.4860 to 0.6560 μm . Surface: Image	Zemax Zemax OpticStudio 17
Legend items refer to Field positions	LK-10M255Y01.zmx Configuration 1 of 1