

产品规格书 Product Datasheet

型号 Model: Rb-LZ-1207-1.868X30Y03-HD

产品类型 Lens Type:

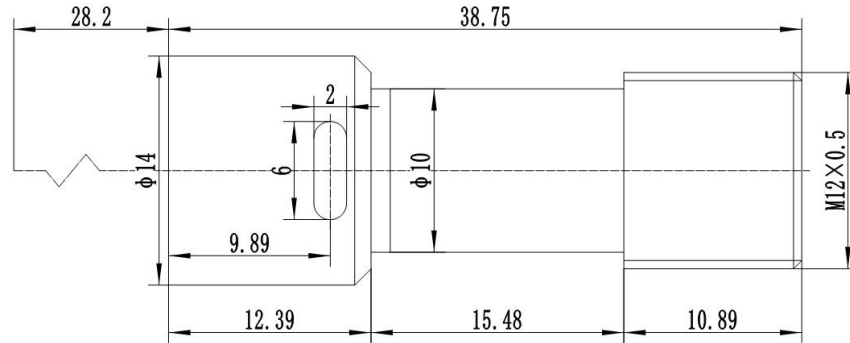
液态微距镜头 Liquid Fixed magnification lens

性能参数 Spec Parameters:

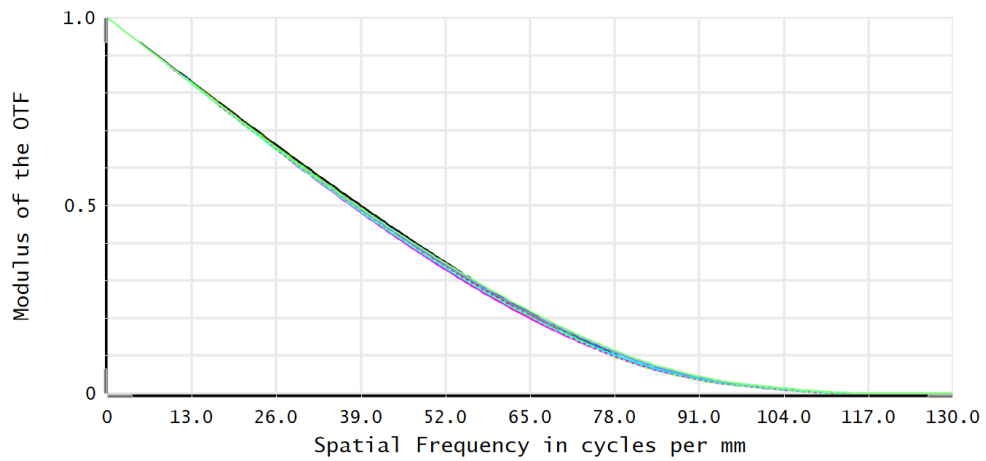
最大像圆 Max. Image Circle / mm	Ø 6.7
兼容靶面 Compatible Sensor Size	1/2.7"
光圈 Aperture F#	17.6
光学倍率 magnification (工作距离 200mm)	0.07
畸变 Distortion / %	≤0.01 (WD: 200mm)
接口 Mount	C
连接头 Connector	Aviation Connector P7
工作温度 Operating Temperature	-10°C~+50°C
存储温度 Storage Temperature	-20°C~+60°C

外形尺寸 Mechanical Size

Unit: mm



MTF Diagram



<input checked="" type="checkbox"/> Diff. Limit-Tangential	<input checked="" type="checkbox"/> Diff. Limit-Sagittal	<input checked="" type="checkbox"/> 0.0000 mm-Tangential	<input checked="" type="checkbox"/> 0.0000 mm-Sagittal	<input checked="" type="checkbox"/> 0.1825 mm-Tangential	<input checked="" type="checkbox"/> 0.1825 mm-Sagittal
<input checked="" type="checkbox"/> 0.5475 mm-Tangential	<input checked="" type="checkbox"/> 0.5475 mm-Sagittal	<input checked="" type="checkbox"/> 0.9125 mm-Tangential	<input checked="" type="checkbox"/> 0.9125 mm-Sagittal	<input checked="" type="checkbox"/> 1.2903 mm-Tangential	<input checked="" type="checkbox"/> 1.2903 mm-Sagittal
<input checked="" type="checkbox"/> 1.5513 mm-Tangential	<input checked="" type="checkbox"/> 1.5513 mm-Sagittal	<input checked="" type="checkbox"/> 1.7337 mm-Tangential	<input checked="" type="checkbox"/> 1.7337 mm-Sagittal	<input checked="" type="checkbox"/> 1.8250 mm-Tangential	<input checked="" type="checkbox"/> 1.8250 mm-Sagittal

Polychromatic Diffraction MTF	
2024-7-1 Data for 0.4861 to 0.6563 μm . Surface: Image	Zemax Zemax OpticStudio 17.5
Legend items refer to Field positions	LZ-1207-1.868X30Y03-HD.ZMX Configuration 1 of 1