

产品规格书 Product Datasheet

型号 Model: Rb-LZ-101-0.18X200Y01-ND

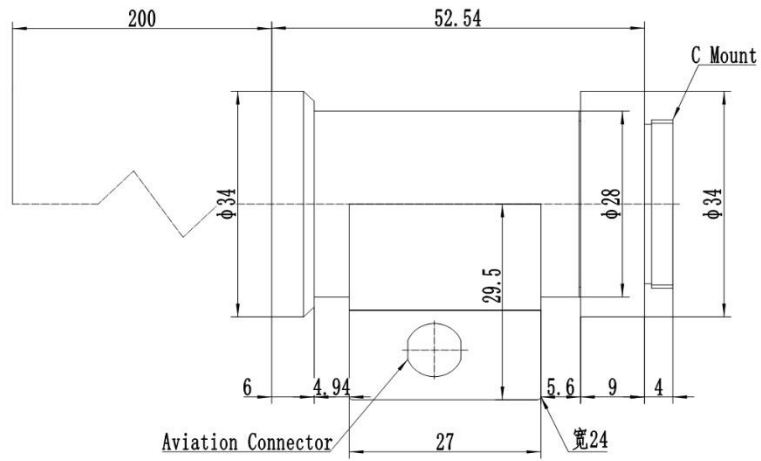
产品类型 Lens Type: 液态变倍镜头 / Liquid Zoom Lens

性能参数 Spec Parameters:

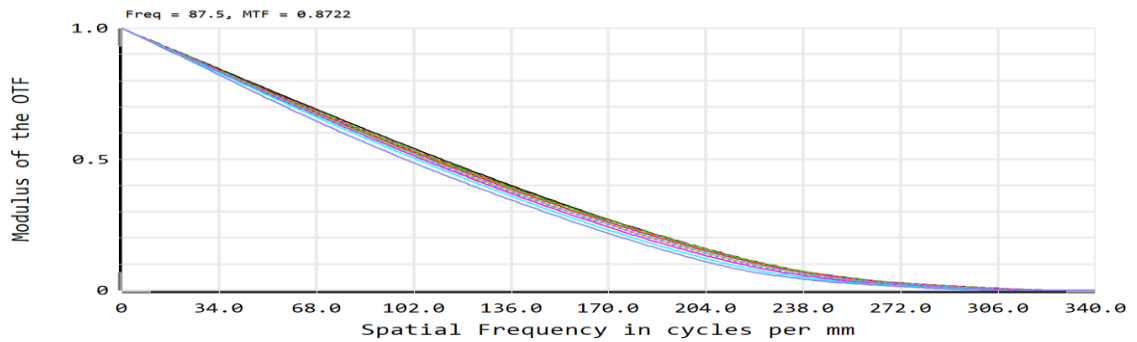
最大像圆 Max. Image Circle / mm	Ø 18.5
兼容靶面 Compatible Sensor Size	1.1"
光圈 Aperture F#	6.2
景深 Depth of Field / mm	4.5(WD=200mm)
畸变 Distortion / %	≤0.05 (WD: 200mm)
接口 Mount	C
净重 Net Weight / g	123
连接头 Connector	Aviation Connector P7
对焦范围 Focusing Range/mm	100-300
分辨率 (物方) / Resolution (Object space) /um	17.54
建议使用范围 Suggest Using Range/mm	140~220
*此范围内光学性能变化较小, 成像质量较高	
工作温度 Operating Temperature	-10°C~+50°C
存储温度 Storage Temperature	-20°C~+60°C

外形尺寸 Mechanical Size

Unit: mm



MTF Diagram



— Diff. Limit-Tangential	--- Diff. Limit-Sagittal	— 0.00 mm-Tangential	--- 0.00 mm-Sagittal	— 5.17 mm-Tangential	--- 5.17 mm-Sagittal
— 5.17 mm-Tangential	--- 15.49 mm-Tangential	— 15.49 mm-Sagittal	--- 25.84 mm-Tangential	--- 25.84 mm-Sagittal	— 25.84 mm-Tangential
— 36.53 mm-Tangential	--- 36.53 mm-Sagittal	— 44.75 mm-Tangential	--- 44.75 mm-Sagittal	— 51.67 mm-Tangential	--- 51.67 mm-Sagittal

Polychromatic Diffraction MTF	
2024/4/15 Data for 0.4860 to 0.6560 μm . Surface: Image Legend items refer to Field positions	Zemax Zemax OpticStudio 17 LG-101-0.18X200Y01.ZMX Configuration 1 of 1

电压 VS 光学倍率 VS 工作距离

Voltage /Magnification/Working Distance

